

## REMOTE OPERATOR STATION FOR 3-WIRE CONTROL MODEL L766

### IMPORTANT

Before installing this option, a **TECHNICALLY QUALIFIED INDIVIDUAL**, who is familiar with this type of equipment and hazards involved, should **READ** this **ENTIRE INSTRUCTION SHEET**.

### DESCRIPTION

The Remote Operator Station allows operation of the GPD inverter from a remote location. On a NEMA1 enclosure, it provides the following operators:

- START and STOP push buttons
- RESET push button
- AUTO/MAN switch
- FOR/REV switch
- Speed potentiometer (10K ohms)

### RECEIVING

All equipment is tested against defect at the factory. Any damages or shortages evident when the equipment is received must be reported immediately to the commercial carrier who transported the equipment. Assistance, if required, is available thru the nearest MagneTek Drives & Systems representative.

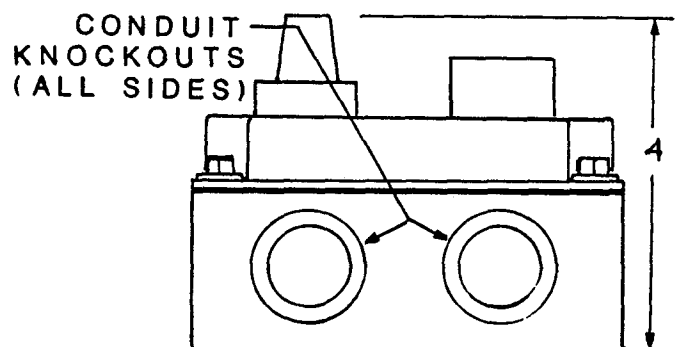
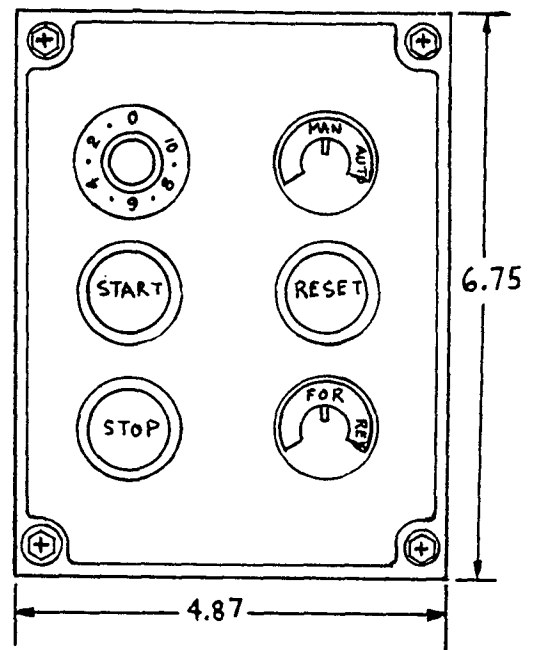


Figure 1. Remote Operator Station  
Model L766

CHANGE RECORD						DWG. NO. 02Y00025-0290
						SHEET 1 OF 4
						EFF. 4/28/89 (Q)

Table 1. Remote Operator Station Specifications

Storage Temp Range	-20°C to +70°C (-4°F to 158°F)
Operating Temp Range	-10°C to +60°C (14°F to 140°F)
Operating Humidity	90% max relative (No condensation)
Environmental	- Protected from direct sunlight - Protected from corrosive gases or liquids
Vibration	1G at frequency less than 20HZ 0.2G at 20 to 50HZ

INSTALLATION

WARNING

HAZARDOUS VOLTAGE CAN CAUSE SEVERE INJURY OR DEATH.

LOCK ALL POWER SOURCES FEEDING DRIVE IN "OFF" POSITION.

1. Turn off all electrical power to the GPD inverter.
2. Verify that the "CHARGE" lamp is out. Then loosen mounting screws and remove the GPD front cover.
3. Remove the front cover from the Remote Operator Station, and install the case in the desired location.

4. See Figure 2 or 3. Make wire connections from the controls on the front cover of the Remote Operator Station to control circuit terminals in the inverter.

5. Replace and secure the front cover on the Remote Operator Station, and replace and secure the front cover on the GPD.

FUNCTION OF OPERATOR CONTROLS

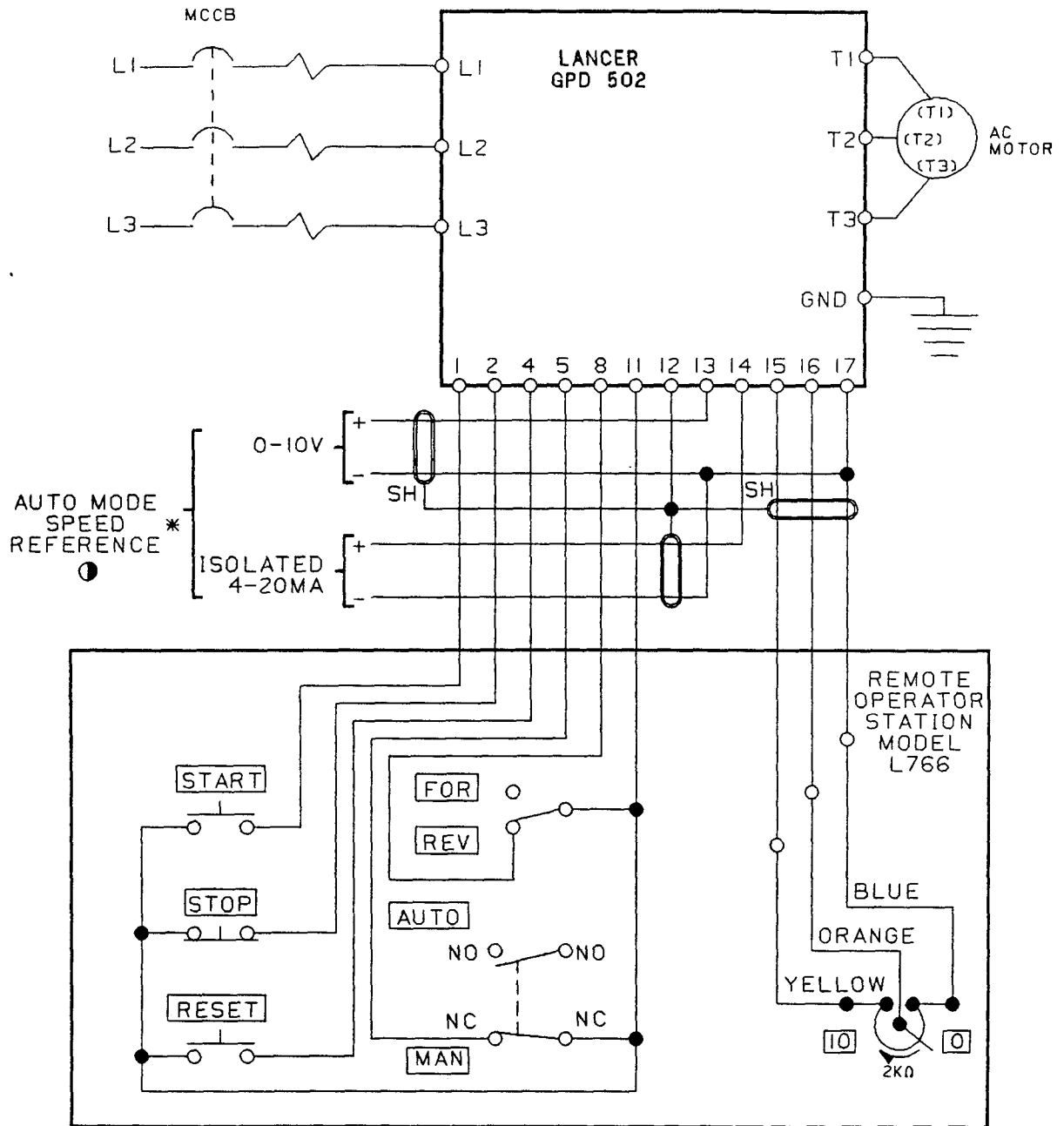
- START/STOP - These push buttons are used to start and stop the Drive. The Stop command takes priority over any other control signal.
- RESET - Pressing this push button will reset any fault indication and reset the Drive's fault relay.
- FOR/REV - This two position switch is used to select direction of motor rotation under inverter control. This switch can be changed while the motor is running.

- Speed Potentiometer - This potentiometer is used to adjust the output frequency of the inverter and thus set desired motor speed. Adjustment is from 0 (minimum) to 10 (maximum).

MODIFICATION RECORDS

Place this instruction sheet with your inverter manual.

DWG. NO. 02Y00025-0290  
SHEET 2 OF 4  
EFF. 4/28/89 (Q)



\* INDICATES NOT SUPPLIED BY MAGNETEK DRIVES & SYSTEMS.

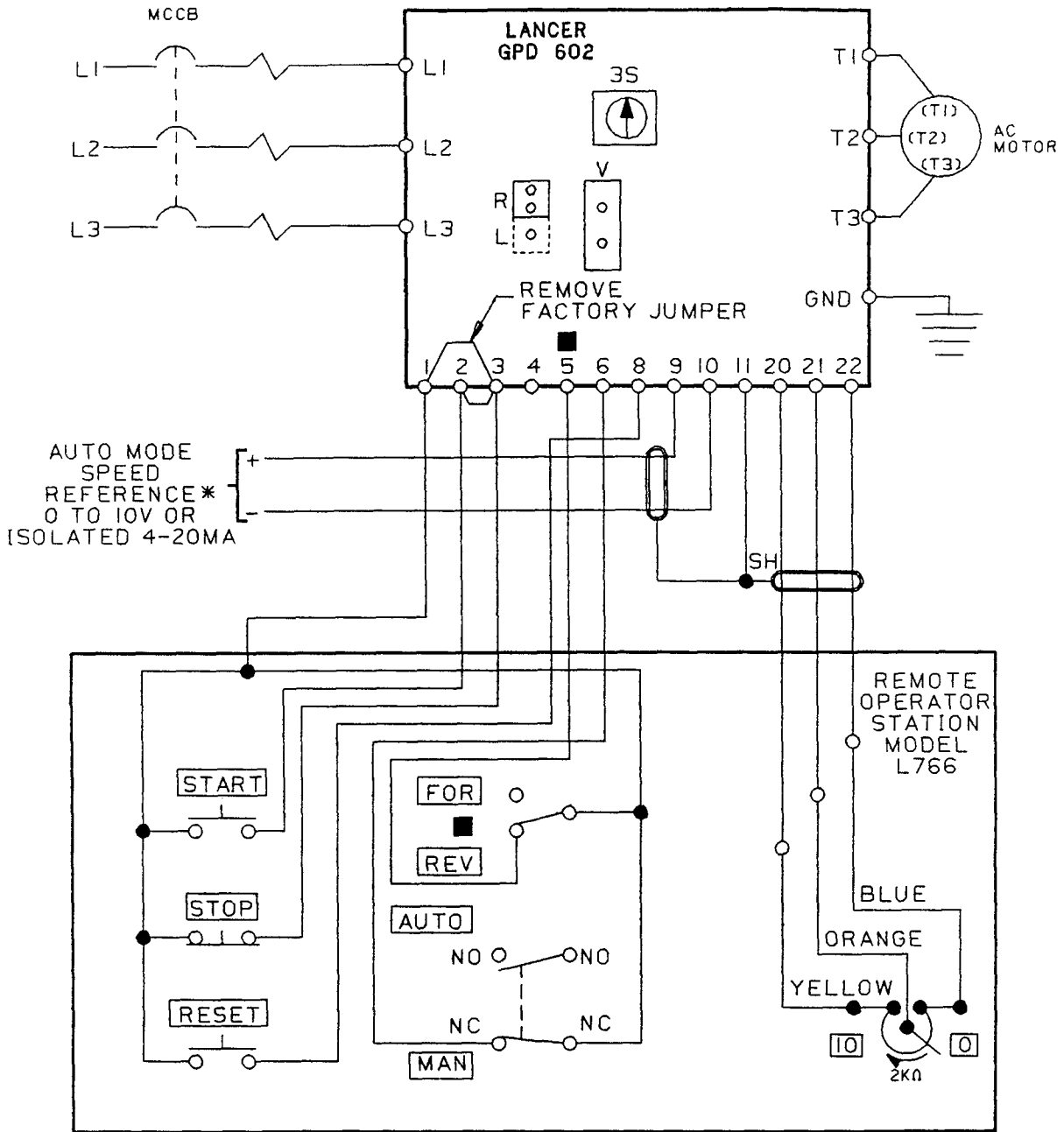
□ INDICATES MARKING ON REMOTE OPERATOR STATION CONTROLS.

● WIRE ONLY ONE AUTO MODE SPEED REFERENCE INPUT.

TD.1.2Y25.290.FIG2

Figure 2. Connection of Remote Operator Station Model L766 With GPD 502 (with constant Sn-04 set to 0000, and Sn-11 set to 18)

DWG. NO. 02Y00025-0290  
 SHEET 3 OF 4  
 EFF. 4/28/89 (Q)



- \* INDICATES NOT SUPPLIED BY MAGNETEK DRIVES & SYSTEMS.
- INDICATES MARKING ON REMOTE OPERATOR STATION CONTROLS.
- FOR A CENTRIFUGAL (VT) GPD 602, DO NOT WIRE FOR/REV SWITCH; SEE TABLE 5 IN TM FOR FUNCTION OF TERMINAL 5.

TD.I.2Y25.290.FIG3

Figure 3. Connection of Remote Operator Station Model L766 With GPD 602

DWG. NO. 02Y00025-0290  
 SHEET 4 OF 4  
 EFF. 4/28/89 (Q)